

GB100E-0002

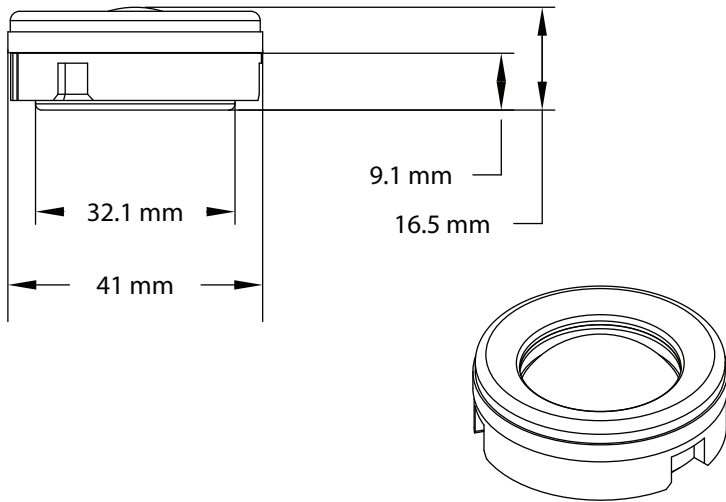


Specifications and Recommendations:

Nominal Impedance	4Ω
Frequency Response (-3dB)	1.8kHz - 24kHz
Power Handling (RMS)*	100W
Power Handling (Peak)*	300W
Recommended Power (RMS)*	12W - 100W
Recommended High Pass Filter	2500Hz, 24dB/Oct
Fs	1500Hz

*With Recommended High Pass Filter

Dimensions:



Fitment Information:

Verified fit:

- 2015-2020 Mercedes W205, C300, C400, and C63 where the tweeter is in the sail panel.

Unverified fit:

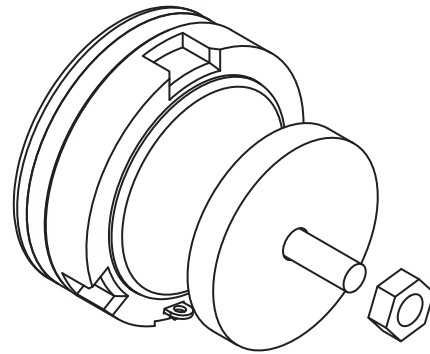
- The GB100E-0002 can be installed in other vehicles using the plastic mounting pieces included in the packaging and a backstrap.

Please check your car's tweeter location and housing dimensions to confirm that the GB100E-0002 will fit.

Installation Steps and Precautions:

Universal Installation of Audiofrog OE tweeter:

- The Audiofrog GB100E-0002 tweeter includes mounting rings that can be attached to the tweeter with an adhesive.
- These mounting rings can be attached to a backstrap custom mount.



Installation of Audiofrog OE tweeter in Mercedes Sail Panel:

Removal of Mercedes OE tweeter:

- Unclip the Mercedes tweeter from the sail panel housing and remove the tweeter

Installation of Audiofrog GB100E-0002 tweeter:

- Press the Audiofrog tweeter directly into the housing until it clips into place.

Limited Warranty (USA): Audiofrog GB Series products sold in the USA through authorized Audiofrog dealers are warranted to the original purchaser against defects in materials and workmanship for one year after the date of original purchase. They are warranted for an additional year if they are installed by an authorized Audiofrog dealer. Please save your receipt. A valid receipt from an authorized Audiofrog dealer is required for warranty service. If you purchased your GB Series products outside the USA, please consult your local distributor for warranty terms and conditions.

Audiofrog and the Audiofrog logo are trademarks of Audiofrog, Inc, registered in the United States and/or other countries. Audiofrog et le logo sont des marques est une marque commerciale de Audiofrog, Inc déposée aux États-Unis et/ou dans d'autres pays.

Audiofrog, Inc. 419 S. Mission Dr. San Gabriel, CA 91776 +1 (707) 600-FROG
www.audiofrog.com