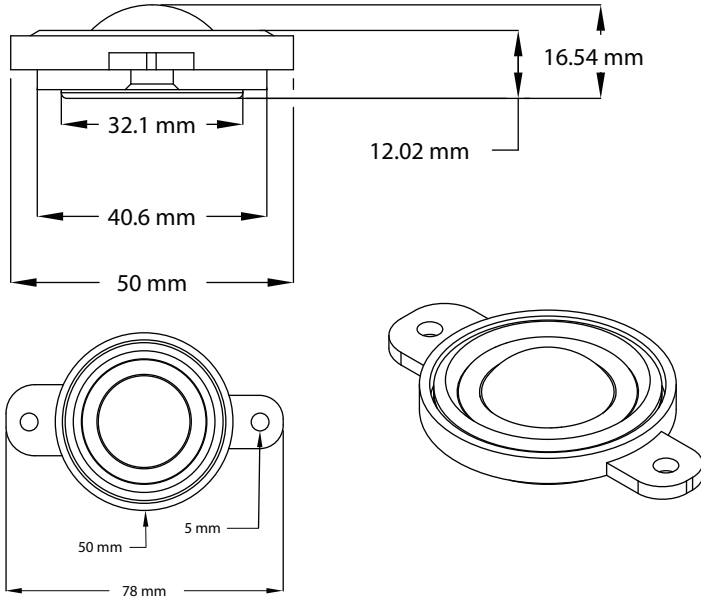


Specifications and Recommendations:

Nominal Impedance	4Ω
Frequency Response (-3dB)	1.8kHz - 24kHz
Power Handling (RMS)*	100W
Power Handling (Peak)*	300W
Recommended Power (RMS)*	12W - 100W
Recommended High Pass Filter	2500Hz, 24dB/Oct
Fs	1500Hz

*With Recommended High Pass Filter

Dimensions:



Fitment Information:

Verified Fit:

- 2015-202 Ford F150 trucks with or without the B&O system.

Unverified but May Fit:

- Other F series Ford trucks within the years 2015-2020, with or without B&O systems.

Please check your car's tweeter location and housing dimensions to confirm that the GB100E-0010 will fit.

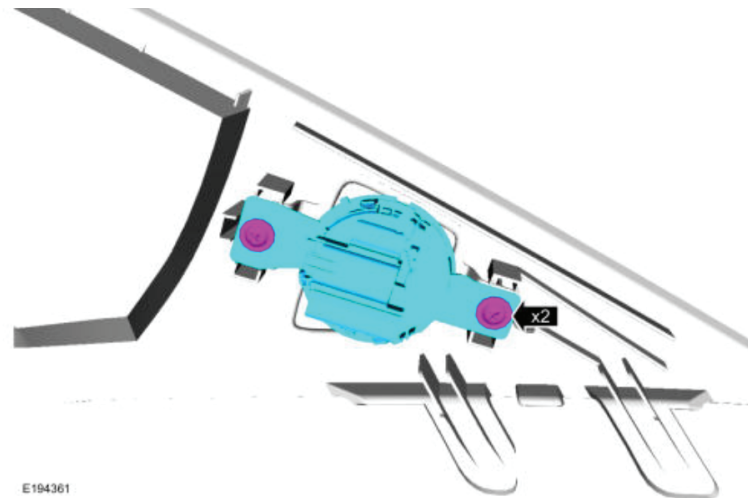
Installation Steps and Precautions:

Removal of OE tweeter:

- Unscrew the two screws securing the Ford tweeter.

Installation of Audiofrog OE tweeter:

- Screw the Audiofrog tweeter into the housing with the same screws, matching the original orientation.



Limited Warranty (USA): Audiofrog GB Series products sold in the USA through authorized Audiofrog dealers are warranted to the original purchaser against defects in materials and workmanship for one year after the date of original purchase. They are warranted for an additional year if they are installed by an authorized Audiofrog dealer. Please save your receipt. A valid receipt from an authorized Audiofrog dealer is required for warranty service. If you purchased your GB Series products outside the USA, please consult your local distributor for warranty terms and conditions.

Audiofrog and the Audiofrog logo are trademarks of Audiofrog, Inc, registered in the United States and/or other countries. Audiofrog et le logo sont des marques est une marque commerciale de Audiofrog, Inc déposée aux États-Unis et/ou dans d'autres pays.

Audiofrog, Inc. 419 S. Mission Dr. San Gabriel, CA 91776 +1 (707) 600-FROG
www.audiofrog.com