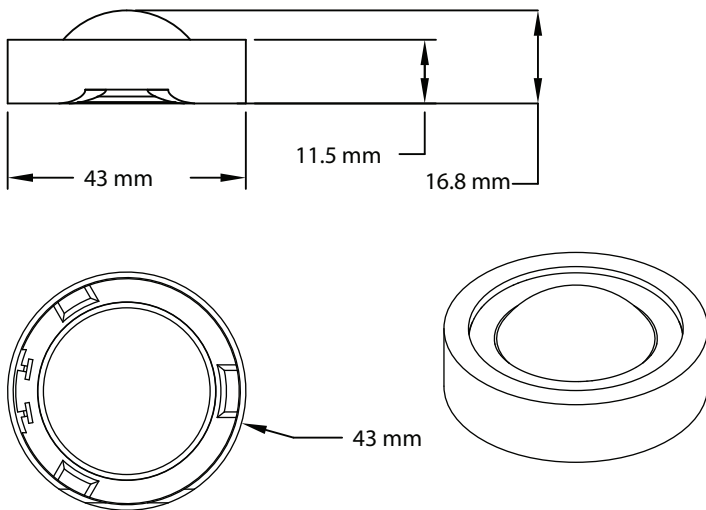


Specifications and Recommendations:

Nominal Impedance	4Ω
Frequency Response (-3dB)	1.8kHz - 20kHz
Power Handling (RMS)*	70W
Power Handling (Peak)*	200W
Recommended Power (RMS)*	15W - 75W
Recommended High Pass Filter	3500Hz, 24dB/Oct
Free Air Resonance (Fs)	1500Hz

*With Recommended High Pass Filter

Dimensions:



Fitment Information:

Verified Fit:

- All Tesla models after 2016 with tweeters in the sail panel location

Unverified but May Fit:

- Unknown

Please check your car's tweeter location and housing dimensions to confirm that the GS100E-0004 will fit.

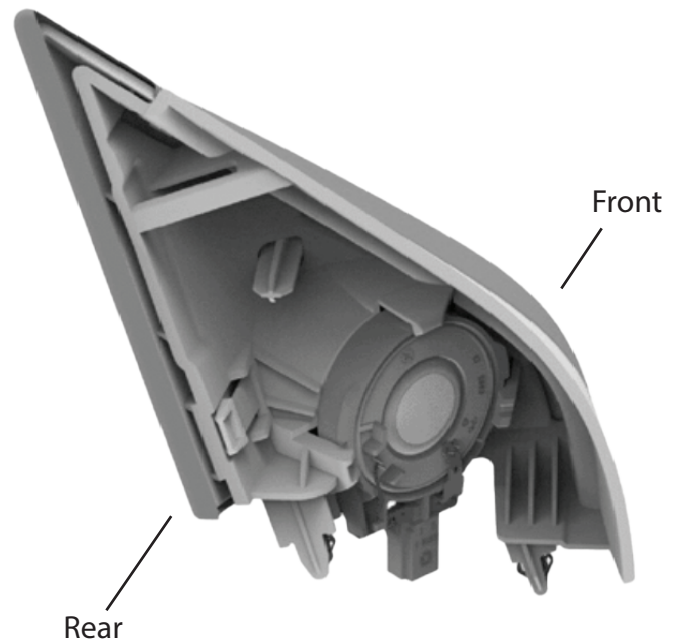
Installation Steps and Precautions:

Removal of OE tweeter:

- Gently pull on both sides of the Tesla sail panel to spread open the tabs and remove the tweeter.

Installation of Audiofrog OE tweeter:

- Align the Audiofrog tweeter so that the bevel is pointed towards the rear side tab.
- Angle the tweeter so that the front side and top tabs are over OE tweeter, but the rear tab is not.
- Then spread the rear most side of the sail panel and press the tweeter into place so that the rear side tab slips onto the bevel.



Limited Warranty (USA): Audiofrog GS Series products sold in the USA through authorized Audiofrog dealers are warranted to the original purchaser against defects in materials and workmanship for one year after the date of original purchase. They are warranted for an additional year if they are installed by an authorized Audiofrog dealer. Please save your receipt. A valid receipt from an authorized Audiofrog dealer is required for warranty service. If you purchased your GB Series products outside the USA, please consult your local distributor for warranty terms and conditions.

Audiofrog and the Audiofrog logo are trademarks of Audiofrog, Inc, registered in the United States and/or other countries. Audiofrog et le logo sont des marques est une marque commerciale de Audiofrog, Inc déposée aux États-Unis et/ou dans d'autres pays.

Audiofrog, Inc. 419 S. Mission Dr. San Gabriel, CA 91776 +1 (707) 600-FROG
www.audiofrog.com