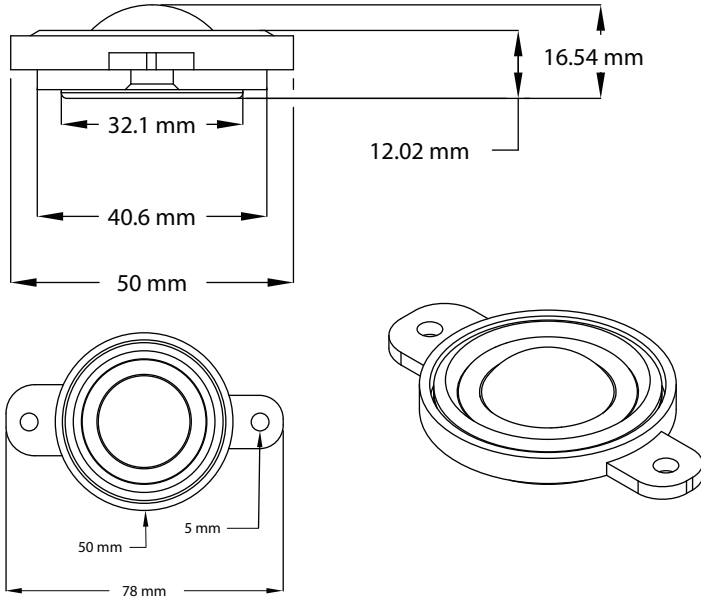


Specifications and Recommendations:

Nominal Impedance	4Ω
Frequency Response (-3dB)	1.8kHz - 20kHz
Power Handling (RMS)*	70W
Power Handling (Peak)*	200W
Recommended Power (RMS)*	15W - 75W
Recommended High Pass Filter	3500Hz, 24dB/Oct
Free Air Resonance (Fs)	1500Hz

*With Recommended High Pass Filter

Dimensions:



Fitment Information:

Verified Fit:

- 2015-2020 Ford F150 trucks with or without the B&O system.

Unverified but May Fit:

- Other F series Ford trucks within the years 2015-2020, with or without B&O systems.

Please check your car's tweeter location and housing dimensions to confirm that the GS100E-0010 will fit.

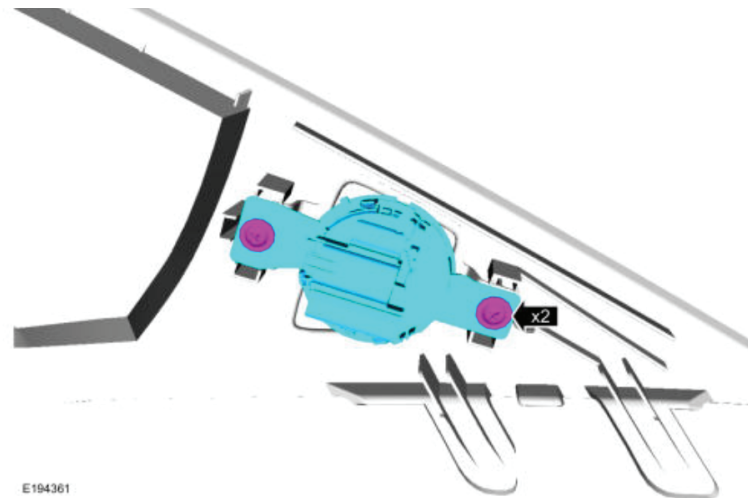
Installation Steps and Precautions:

Removal of OE tweeter:

- Unscrew the two screws securing the Ford tweeter.

Installation of Audiofrog OE tweeter:

- Screw the Audiofrog tweeter into the housing with the same screws, matching the original orientation.



Limited Warranty (USA): Audiofrog GS Series products sold in the USA through authorized Audiofrog dealers are warranted to the original purchaser against defects in materials and workmanship for one year after the date of original purchase. They are warranted for an additional year if they are installed by an authorized Audiofrog dealer. Please save your receipt. A valid receipt from an authorized Audiofrog dealer is required for warranty service. If you purchased your GB Series products outside the USA, please consult your local distributor for warranty terms and conditions.

Audiofrog and the Audiofrog logo are trademarks of Audiofrog, Inc, registered in the United States and/or other countries. Audiofrog et le logo sont des marques est une marque commerciale de Audiofrog, Inc déposée aux États-Unis et/ou dans d'autres pays.

Audiofrog, Inc. 419 S. Mission Dr. San Gabriel, CA 91776 +1 (707) 600-FROG
www.audiofrog.com